



BENEVA CHRISTIAN CHURCH
(DISCIPLES OF CHRIST)

THE GOOD NEWS

Rev. Bobby Dickerson

March 2009

Volume 39, Issue 3

Spiritual Treasure

In 2 Corinthians 4:7, Paul tells us,

But we have this treasure in earthen vessels, that the excellence of the power may be of God and not of us.

If you look at this chapter, Paul helps us understand that this treasure is ministry, the gospel, the Word of God, and the light and the glory of God, God's presence.

Paul wants us to understand that God has placed in us an incredible spiritual treasure...a treasure residing in these earthen vessels...our bodies. The treasure is in you and me!

But that treasure needs to be poured out.

I can't help but think that Paul was thinking of two particular earthen vessels that were used in his day. One was the vessel of mercy and the other the vessel of honor.

One place you would find the vessel of honor was around the home. People would use the water to wash their feet after traveling the dusty roads before they would enter your house, or they would use the water to quench their thirst. Like the vessel of honor, we are to wash the feet of our family, to humbly serve them and to help quench their thirst for more of God.

The vessel of mercy looked identical to the vessel of honor, but it was located in public places like the town square, so that any traveler coming through that arid land would be guaranteed to find a fresh drink of water. It was placed where the needs were. We need to take mercy where mercy is needed most—out onto the highways of humanity.

You are an earthen vessel filled with His spiritual treasure, so start pouring it out—in your home and out where the people are.

By Bayless Conley

Empowered by the Spirit, We will reach out in Love and Fellowship; Teaching and Making Disciples.

Inside this issue:

<i>World Outreach</i>	2
<i>Prayer Partners</i>	
<i>Joshua's Men</i>	3
<i>Youth News</i>	4
<i>Small Group Info</i>	5
<i>2009 Board Members</i>	6
<i>Details From Dale</i>	7
<i>Birthdays & Anniversaries</i>	8
<i>January Financial Update</i>	
<i>Little Disciples Preschool</i>	9
<i>Property Report</i>	10
<i>Senior's Retreat</i>	
<i>Vision Focus Group</i>	11
<i>Children's Page</i>	12
<i>Deacon/Elder Schedule</i>	13
<i>Church Office Hours/Staff</i>	14
<i>Homebound / B.P. Check</i>	
<i>Church Calendar</i>	15

Share Your
Faith in Christ



World Outreach

By Dave Harlow, World Outreach Chair

On March 8th, Beneva CCDOC will join with 15 other churches in Sarasota for Crop Walk. Hopefully someone has asked you to support them in the walk. The walk begins at the Lutheran Church on St. Armand's Key. There are 2 walks, a one mile walk around the circle [maybe a stop at Kilwin's for fudge or ice cream?], and a 5 mile walk across the Ringling causeway bridge to island park and back. Water will be provided to all walkers as will T Shirts with Beneva CCDOC logo on the back. Be sure to sign up to walk! Walk starts at 2PM. †

CROP stands for Communities Responding to Overcome Poverty. A glass of clean water to drink. Some seeds to plant. Seed money for chickens. Start up funds for cottage industries. These are just some of the places for your Crop walk donations to go. 25% of all money collected in Sarasota will be given to our All Faiths Food Bank. As you know, we hope to fill the big food drum 3 times for our own food bank. Did you know we give out around 500 lbs. of food per week here at Beneva? What is not donated to us, we have to buy. Your donation of food helps immensely. Ask your co-workers, neighbors and anyone you can to donate money. Crop Walk isn't just a Christian thing, it's a human thing. We are our BROTHER'S KEEPER.

Dave Harlow for your Outreach team †

What would you think about having a spaghetti dinner and variety show to raise funds for the Cleveland Christian Home? The dinner would be by donation from attendees with the profits, I hope, going to the home. What are your talents? Piano playing, harmonica, magic acts, dance routines? And did you ever see Glenn and Jane dance? Story telling, singing groups and solos, etc. This would be late March or early April. †

February 8th heard an appeal for our Week of Compassion special offering. It was pointed out that WOC funds are used almost daily. This is information regarding where WOC funds have gone since then: Kentucky massive ice damage, tornadoes in Oklahoma, brush fires in Australia, floods in Costa Rica, and destructive weather across Africa. Human inflicted suffering in the Gaza, Communal strife in India and further violence in Sudan! Where is your treasure? †

Prayer Partners

The following people had prayers requested for them during the month of February. Please take a moment for them, and continue to lift them up in your thoughts and prayers. Thank you and God Bless.

- George Oberle
- Jim Huron
- Florine Blake
- Charles & Bobbie Hartong
- Jerry Caress
- Wally Brunton
- Wanda Benedict
- Dean & Carole Platt
- Casey Platt
- Jorita Madison
- Ronnie Van Vleet
- Jeanette & Dick Haase
- JoAnn Kelly
- Berda Boggs
- Jeremy Arnold
- Kathleen Henehan
- Borchert Family
- Ronald & Beverly Coates
- Renee Coates & Tina
- Draven
- Zach Pickard
- James & Florence Horton
- Norman & Maxine Best
- Scott Bouley
- Jesse King
- Burns Family
- Cindy Deweese
- Cathy Conolly
- Beneva & LDP Staff
- Ryan Bergeron
- Brad Hall
- Military overseas & natural disaster victims
- Those struggling to make ends meet

“Find strength in your faith—the love you have for our Lord will show you the path. Joined together, and with God's love, we can achieve all that is possible.” †

The Good News is published monthly by
Beneva Christian Church (Disciples of Christ)
4835 Beneva Rd., Sarasota, FL 34233-2110.

What is prayer?

If the Bible is our food, then prayer is our air. It's the way by which we draw in the atmosphere of God.

Prayer is rich and varied. Sometimes we confess our sins in a prayer of penitence. Sometimes we praise God in worship and thanksgiving. Sometimes we ask God for help and grace to meet whatever comes our way. Sometimes we pray for other people. Sometimes we're quiet, knowing that when we stop clamoring and pleading our case, there comes a sense of God's reply, some intimation of his will, some message from him to us.

Remember that nothing God can ever give is comparable to himself. It is God we seek in prayer. Everything else is secondary. †

**Friday
March 6,
2009**



A Poem to Ponder

I was talking to a Special Friend,
Which I try every day to do.
I'm sure or hope you all know Him,
And share your day with Him too.
He asked me to do Him a favor,
Which worried me, but I said I would.
He says He opens His house once a week,
Hoping friends and strangers will gather to meet.
All He wants is a Greeter or two,
So I said, "yes" – how about you?

Author Unknown †

Interested in a home visit with Pastor Bobby, or a cup of coffee at the church? Please contact him at **400-7349** (cell) or the church at **924-8713** to arrange a convenient date and time. †

Joshua's Men

March 2nd — 7:00 pm

We continue a call for ALL men to attend the monthly gathering of Joshua's Men. We will meet on Monday, March 2, 2009 from 7:00 to 8:00 PM for fellowship with our brothers in Christ, Prayer and praise songs. During this meeting we will continue our training helping each of those who attend to be a "Man of His Word" in all aspects of his life. Our focus this meeting will specifically relate to his relationship with his children. Also place April 6, 2009 on your calendars from 7:00 to 8:00 PM for the next Joshua's Men meeting.

We ask that you invite at least one additional person to attend our meeting. When you extend that invitation don't forget to follow up just before the meeting to make sure your invitee remembers to come. Please join us and add your unique perspective to the growth of God's men in service to Him and to bring Him Glory through our actions.

During our February meeting we agreed to attend "The Story of Jesus", a live play that vividly portrays the Passion Week of the Christ. It culminates in Jesus' triumphal second return. If you are a Christian and/or you are thinking about where you are "In Christ" this is a must see for you. It is also an eye opener for those who are searching in their lives. We have decided on March 27th as the night we will collectively attend in Wauchula, Florida. The details of this excursion will be worked out at our upcoming meeting.

For more information or questions please contact Steve Dziadik at 941-228-8605 †

Recycling Fundraiser

Do you have old cell phones sitting around your house? Bring them to church! In an effort to raise much-needed funds for our church, as well as do our environment a favor, we are conducting a drive for used electronic items. Through this program, we send out the items so they can be recycled in the proper way, and our church receives a bit of money for each item sent. If you have: Cell phones, Digital cameras, iPods, Laptops, or used Ink Jet cartridges, we want them! No accessories please, and if an item is broken we still receive money. Ask your friends, neighbors, and even local businesses for items to be recycled. We can all make a difference in the life of our church and our environment through this exciting drive! †

Sunday Morning Youth Programs

By Betty Freant, Christian Education

Children in grades 3-12 are meeting in the Seekers room with Miss Corry for the Sunday School hour. They are studying from the book of Luke.

We are looking for volunteers to work one month at a time in Children's Church.

Material is available and a helper will be supplied.

Let's show our children how important they are to us by teaching them the love of Christ.



Children's Church Volunteers

March 1st the Praise Service will begin in the Fellowship Hall and the children will stay in that service with coloring material available at a Resource Center nearby. †

You are Invited to Join us for a Garden Party

Relax and enjoy the music of the Sarasota Jewish Chorale and Dr. Juan De La Sierra guitarist & vocalist.

March 22, 2009

4 to 5:30pm

Beneva Christian Church

Fellowship Hall

\$25 (refreshments included)

Proceeds to benefit the Wellness Community.
Contact the church office or Corry O'Carroll (371-1387) for tickets. †

Nursery Volunteers

We are looking for volunteers for the nursery during Sunday worship. The nursery is located to the left of the Sanctuary and is for children up to 5 years old. We would like to have enough people volunteer so a person only is out of church services one Sunday every 4-6 weeks. We are not gender biased, men are welcome; teenagers are also welcome in addition to an adult. Please contact Betty at 918-1626 or Corry at 915-3206. †

Sunday Bible Classes

By Betty Freant, Christian Education

Christian Education is excited to announce that there will be an Adult Bible study starting on March 1st. It will start at 4:30pm and will meet in the Sanctuary with Bob McClain as the teacher. Adults are welcome to stay for the snack supper for the \$2.00 charge, but I'm sure Miss Lynn would appreciate an estimate of numbers so she can prepare enough food. Join us on Sunday evenings! †

Camps & Conference 2009

It's time to think summer camp not only for the youth but anyone interested in being a camp counselor at our Silver Springs Camp and Conference Center. Applications are in the narthex, so hurry, early registration must be postmarked by May 9, 2009.

Genesis Camp (5th-7th Grade) June 7-12 \$285

CYF Conference (9th-12th Grade) June 14-20 \$295

3rd Grade Camp (3rd Grade) June 21-25 \$245

Primitive Canoe Camp (9th-12th Grade) June 21-27 \$255

Junior Camp (4th-5th Grade) June 28-July 2 \$245

Spiritual Arts Camp (8th-12th Grade) July 12-18 \$335

CHI-RHO Camp (6th-8th Grade) July 19-24 \$280 †

Cornerstone

Sunday School Class: Sundays—9:00 am

This class helps us to read and understand basic biblical passages. It is a catalyst for our devotional lives and gives us an opportunity for fellowship with other disciples. This group is designed for all adults — any age. If you have any questions, please feel free to contact Pastor Bobby at the church. The nursery will be provided during this class. We hope to see you at Cornerstone each Sunday. †

March Events for the Bifocal Bunch

By Shirley Blanton

Sunday, March 1st: 7:00 PM. Choir Fest at Pine Shores Presbyterian Church. Please come and show your support for the Beneva choir.

Thursday, March 12th: 9:00 AM. Breakfast at the Serving Spoon restaurant on South Osprey Ave at Hillview St. RSVP!

Sunday, March 22nd: 2:00 PM. Ski-A-Rees show on City Island behind Mote Marine. Food available. Free will offering to benefit injured club member.

Shirley is planning a trip to Bok Tower in Lake Wales, FL. Date—To Be Announced. Possibly week of March 23-27. We'll let you know.

A suggestion for our Snow Birds:

If you're going north in April, before you leave you may want to go to Snook Haven on the Myakka River, east of Venice, for a Banjo Band concert. They play on Thursdays. It's from 11am-1pm. Food available. Due to size of the winter crowds, the Bifocal Bunch will not go as a group until sometime in April. †

Beckham's Fundraiser

Don't forget about a great opportunity that awaits you at BECKHAM'S restaurant, located at 1272 S. Tamiami Trail in Osprey, (South Bay Plaza). They will send Beneva Christian Church a check for 15% of your bill for any Sunday noon meal. Simply enjoy a great lunch at BECKHAM'S after church on any Sunday, give your server the name and address of our church, and they will mail the church a check! Their food is delicious and served in generous portions, and the professional yet comfortable atmosphere of Beckham's will have you rushing back for more. We received a very heartfelt 'Thank You' letter from Beckham's for participating in their Brunch Cashback program, as it has helped them get through the financial slumps. They look forward to welcoming us to brunch throughout 2009, and I hope that everyone makes a trip (or two or three) to Beckham's! Take your friends and family along. Enjoy a great meal, great fellowship, and help support our church!!! †

Martha Circle

The Martha Circle will meet on Monday, March 2nd, on the Church grounds. Plan to be there by 7:15. See you there! †

Naomi Circle

The Naomi Circle would like to invite any woman in our church to join us for our meeting on Friday, March 6th at 12 noon in Fellowship Hall. Bring a sandwich. Drinks and dessert will be provided. †

Feeding the hungry

“To allow the hungry to remain hungry would be blasphemy against God and one's neighbor, for what is nearest to God is precisely the need of one's neighbor. It is for the love of Christ, which belongs as much to the hungry as to myself, that I share my bread with them and that I share my dwelling with the homeless. If the hungry do not attain to faith, then the guilt falls on those who refused them bread. To provide the hungry with bread is to prepare the way for the coming of grace.”

—Dietrich Bonhoeffer †

Cartridge World Fundraiser

Keith and Debra Harrison, owners of CARTRIDGE WORLD, 3472 Clark Road, have offered their cartridge recycling program to Beneva Christian Church. Place your empty cartridges in the recycling basket in the Narthex. We will take them to CARTRIDGE WORLD and they will quarterly reimburse Beneva Christian Church \$2 for usable name brand cartridges with print heads, \$1 for HP Brand usable cartridges without print heads, \$.50 for all other name brand usable cartridges without print heads. They will also send us \$3 for usable black and color laser toner cartridges.

Let's recycle and help support our church in the process! †



Beneva Christian Church
(Disciples of Christ)

2009 General Board Members

Church Officers

Chair: Dale Root
Vice-Chair: Bob Evans
Secretary: Elsie McDonald
Financial Secretary: Sara Metheny
Treasurer: JoAnn Kelly
Historian: Pauline Totten/Jane Oneal

Elders

<u>Expires 2009</u>	<u>Expires 2010</u>	<u>Expires 2011</u>
Olevia Fulkert	Bob Blanton	Glenn Oneal
Greg Fulkert	Shirley Blanton	Jane Oneal
	Bob Evans	Elsie McDonald

Department Chairs

Worship: Pastor Bobby Dickerson
Christian Education: Betty Freant
Stewardship: Duane Wyatt
Church Growth Duane & Jane Wyatt
Membership: Duane & Jane Wyatt
World Outreach: David Harlow
Property: Larry Hazen
Healthcare Services: Dorthia Rogers / Debbie York
Nurture: Florine Blake

Deacons

<u>Expires 2009</u>	<u>Expires 2010</u>	<u>Expires 2011</u>
Lori Walsh	Cindy McDowell	Marilyn Gerkin
Debbie York	Suzanne Pruse	Kathy Bearden
	Tim Brodkorb	Joe Bearden
	Jan Bogart	
	Dean Hoover	
	Joyce Hoover	
	Nila Valvo	

Staff

Minister: Pastor Bobby Dickerson
Secretary: Caitlin McDowell
Director of Music: Greg Fulkert
Pianist/Organist: Janene Overley
Youth Director Corry O'Carroll
Custodian: Yves May
Preschool Director: Cindy McDowell
Nursery Attendant:

Alicia Brodkorb

Youth Deacons

Expires 2009

Deanna Root

Trustees

<u>Expires 2009</u>	<u>Expires 2010</u>	<u>Expires 2011</u>
Bob King	Jerry Caress	Frank Metheny

Group Chairs

Elders: Olevia Fulkert
Deacons: Nila Valvo / Kathy Bearden
Trustees: Bob King
Greeters: Ruth Wolf
Acolytes: Kathy Bearden

Committee Chairs

Little Disciples Preschool: Erin Sturm
Memorial: Barbara Clements
Music:
Personnel Committee: Duane Wyatt
Local Benevolence: Jackie Hazen / Gail Brodkorb
30/30 Vision: Elders
Scholarship: JoAnn Kelly / Kathy Bearden
Hostess: Joy Byrd

Christian Women Fellowship:
Christian Men Fellowship: Steven Dziadik
Bifocal Bunch: Shirley Blanton
Young Couples/Singles:
Technology: Marshall K DuBois
Newsletter: Caitlin McDowell
Web Site: Marshall K DuBois

By-Laws:

Notice

Everyone on this page is requested to attend the General Board meetings.
 All Church Officers, Department Chairs, Staff, Committee Chairs and Group Chairs are requested to attend the Cabinet meetings.

Details From Dale

So another month has gone by. Some things have started to roll, some things are about to roll, and some things have not moved yet...

In this month's Details from Dale I am going to talk on a variety of different subjects. I also will try to not be as long winded as I was last month.

A comment was made to me regarding what I said I would like to have happen when it comes to meetings. Keeping meetings on time and on task. This does not mean everyone should not be heard. All ideas, comments and opinions should be heard. It is just you must agree with me that there have been times where we got so far off on other subjects we forgot where we started. It is possible to be efficient and also considerate.

In any organization or business it is not the strength of the leaders or the few at the top that ultimately determines the success. Rather, it's those in the trenches who will determine the out come. We have all heard the old saying 'only as strong as the weakest link.' The way that I apply that to the church is not much different. We can not have a few members doing most of the work. If we are going to move forward and be successful it will take everyone pulling together to get jobs done. The young, the old "oops" I mean mature, the ones that can do physical, the ones that can use their brain. The ones that are here year round and the ones who visit but call us home. I did a sermon a while back that stated Membership has its privileges but it also has its responsibilities. As Pastor Bobby likes to say we have work to do and it will take us ALL to get it done...

This past Sunday, Frank invited everyone to a free dinner on Friday March 13th... Mark your calendar now... Frank stated time to be determined I would guess either 6 or 6:30. Not sure of the menu yet but Chef Brian will be involved so you know it will be good.....

I am not going to uncover all the plans yet but more to come. But as Frank said get the number 40,40,40,40 etched in your head, kind of like an old song that gets stuck in your brain you just keep humming to.

In closing I openly invite anyone that has ideas, opinions, criticism, or suggestions to call me or corner me and let me know what you think.

Thanks
Dale †

Beneva Scholarship Fund

I want to thank each and everyone who contributed to the Scholarship Fund this year. All the money for the Scholarship Fund is being invested at the Christian Church Foundation in Indianapolis. The interest from these invested funds is what we use each year to give scholarships to any qualified Beneva candidates.

Kathy Bearden and I are joint Chairmen of the Scholarship Fund. We want to remind everyone special envelopes are located in the pews. We ask you to consider giving to the scholarship fund to help our young people to further their education.

If you are going to be graduating this spring, please pick up and application from Kathy or me.

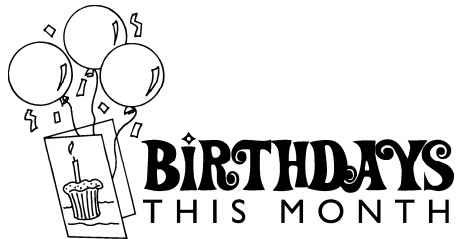
Again thanks to each of you who has contributed this year.

JoAnn Kelly and Kathy Bearden
Scholarship Chairmen †



We Came.. We worshiped.. We met..
We served.. We learned
by Corry O'Carroll

Thank you to everyone who helped feed the people at Church in the Park on February 22. It was an awesome experience, I felt so blessed to be doing this mission project with my Beneva family. We met many new friends, ministered to some people and were ministered to by others. We were even challenged to become pro-active not reactive Christians. To make it simple, we saw Jesus in action. †



- Mar 04 Rick Manning
- Mar 04 Tawnie McDowell
- Mar 05 Lloyd Marvin
- Mar 06 Jan Bogart
- Mar 06 Quinton Byrd
- Mar 06 Barry Havener
- Mar 07 Nancy Dennis
- Mar 08 David Polk
- Mar 09 Kelly Jo Fruehwald
- Mar 09 Rene Williams
- Mar 09 Paula Martin
- Mar 11 Bobbie Hartong
- Mar 13 Carol Evans
- Mar 14 Tiffany Howe
- Mar 16 Susan Sell
- Mar 19 Kim Evans
- Mar 21 Florine Blake
- Mar 22 Carolyn Hart
- Mar 23 James Wolf
- Mar 25 Laverne Thomas
- Mar 26 Stacy Evans
- Mar 29 Erin Creech
- Mar 29 Lauren Brunner

If we have dates that are not correct, or if we don't have your special days listed, please notify the church office. †



- Mar 05 Steven & Maryann Dziadik
- Mar 10 Dick & Jeanette Haase
- Mar 21 Antonio & Monika Trujillo
- Mar 21 Jonathan & Jennifer Case
- Mar 26 Ray & Ann Sullivan
- Mar 28 Mike & Amy Abbot
- Mar 30 Tony & Diane Christian
- Mar 31 Walt & Barbara Alice Carroll

January Financial Update By Duane Wyatt, Stewardship Chair

	January 2009		January 2009 YTD	
	Actual	Budget	Actual	Budget
Income	\$12,499	\$13,960	\$12,499	\$13,960
Expenses	22,386	17,488	22,386	17,488
Gain(Loss)	(9,887)	(3,528)	(9,887)	(3,528)
Checking Bal.			\$5,553	

Income in January was about \$1,500 mostly due to Little Disciples and gift was not received until Feb. 1st. Expenses for January were almost \$5,000 over budget because taxes for 2008 of \$5,600 were not paid until Jan. This occurred because of being very careful of our cash position at the end of 2008.



As you know we begin 2009 with an equity line of credit debt of \$50,000. Our best estimate of our 2009 total picture is that could be short \$5,000 - \$10,000 by year end but the biggest problem we face is that we begin to run out of cash by June(\$1,000) and the shortage will rise to about \$30,000 in Oct. and then drop down significantly during Nov. and Dec. The Stewardship Committee is currently meeting to develop a plan addressing this problem and will be making a proposal to the congregation in March. †

Little Disciples Preschool

By Cindy McDowell, Director

March?! Is it March already?! Our school year has entered into its last trimester. We end the month of February with our Registration for the 2009-2010 school year open to our on-campus and alumni families. Registration then opens to the public on March 1st, 2009, for those vacancies that remain.

Registration Tuition

- 2 days/wk \$150.00 2 days/wk \$220.00/month
- 3 days/wk ages 2.5 & 3 \$175.00 3 days/wk \$295.00/month
- age 4 \$200.00
- 5 days/wk \$225.00 5 days/wk \$410.00/month
- **NEW 2day 1.5 yr old (diapering provided) \$295 mon.**

February was such fun. We had our hearing tested by the NCJW and our class photos and Graduation portraits taken by our photographer. We have enjoyed Yoga class with Mrs. Albers twice now and had fun in Extended Care on our first Happy Meal Day. Mrs. McDowell ordered Happy Meals for all of us who RSVP'd and stayed in Extended Care on February 25 (regular Extended fees apply). It was delicious!



We will be so busy in the month of March! We are looking forward to Center's Day on March 11th, and Wear a Hat Day on March 13th. Daily activities include playground fun, spending time in our Outdoor Classroom and Learning Center, Movement class and Sign Language with Stefanie Kohut, Yoga with Mrs. Albers, Handwriting Without Tears with Mrs. Kendall and enjoying classroom time with our Teacher and friends. Our Early Care program continues making smiles at 8am each day, and our Extended Care program is a favorite lunch spot for many preschoolers daily. Come join in the fun! †

"The average pencil is seven inches long, with just a half-inch eraser. Remember that, in case you thought optimism was dead."

—Robert Brault

Teacher's Tidbits by Mrs. Christian

February was such a fun-filled month as we shared our love of pink with hearts and happiness at our Valentine's party. As the month went on we MOVED into our transportation unit and learned about trucks, boats, planes and trains. We enjoyed both car and boat races with our friends at preschool.

We will travel into the Rainforest in March and explore where plants and animals live. Stop by our room and check us out as we create and learn about the layers of the rainforest. We will also experience the foods and sounds of the rainforest as we explore this exotic Amazon. †



Don't Forget!

Daylight-Saving Time begins on March 8. Don't forget to set your clocks (and wrist-watches) ahead one hour!

Revolve Tour

By Corry O'Carroll

Awesome! Cool! Fun! Amazing!
Thank you for having me come! Lets do it again!

These are just a few of the remarks that our high school and middle school girls had to give after attending the Revolve Tour all access event in Orlando February 6 & 7. We took 14 girls from four different churches and three different denominations and they all came together with thousands of their peers to learn about having a true relationship with their Heavenly Father. This was an awesome weekend, seeds were planted and I am excited to have the opportunity to watch them grow. Thank you to Mr. Bob for driving us and being our token male and putting up with all the "girl talk". Thank you parents for sharing your awesome daughters with me.

Ms. Corry †

Property Report

By Larry Hazen

WOW!!! What a GREAT Sat-A-Workday we had on the 21st. We had 18 volunteers for our 3 hour work time and did we ever get some stuff done!!! Take a peek around the property and you will definitely see the difference of just 1 day.

A review of what was accomplished in 3 HOURS by 18 GREAT VOLUNTEERS:

Leaves gone between Fellowship Hall and the Sanctuary, Gazebo was power washed, entry windows in Sanctuary and some on Fellowship Hall were cleaned, the garden off of Narthex cleaned (all the way to the office door), edged ~ and blown ~ were all the driveways, walkways as well as the sidewalks along Beneva and Proctor. The pond took a big hit as all the long grasses around the drainage areas were cleared, most all the lawns were mowed, weed whacking around all the buildings, pest control was applied, painting of bumpers and arrows in parking areas, lights and timers were reset, filters in air conditioning vents (in sanctuary building) were cleaned/replaced, the kids garden was moved to a sunnier place, signs painted, garages cleaned and reorganized, whew.. Oh yeah, we also filled the dumpster, plus the trailer is filled to the brim.

We also learned we do need a bit more equipment. Hand lawn mowers, clippers for brush and hedge trimming, rakes and a large shovel to name a few. With all this accomplished please mark your calendar for March 21st for the next Sat-A-Workday. This will be just prior to the grand event Beneva Christian Church will be hosting for the Wellness Community Concert on the 22nd and we want to show off our property to many others supporting Cancer Education.

Once again, THANKS to ALL that helped with your time and some of your own equipment!!!

Any questions please feel free to contact me by e-mail (BCCProperty@larryhazen.com) or by phone 918.4814 or 504.9050.

Larry Hazen ☩

“Practical prayer is harder on the soles of your shoes than on the knees of your trousers.”

—Austin O’Malley

Senior’s Retreat



Have you ever rode a glass-bottom boat at Silver Springs? Do you like Art Museums? Well all that and much more can be done at the Senior Retreat. If you carry an AARP card, you are considered a senior {50}.

Good times, good fellowship, and good spiritual experiences await you. Information and registration forms are on the stand in the Narthex.

Glenn, Jane, Pastor Bobby, Mary and

Dave will see that you are treated royally. See you in Ocala March 17-19.

Glenn, Jane, Mary, Dave & Pastor Bobby ☩

Buckle on the Straps

A cowboy once offered this sensible notion of living the Christian faith:

“Lotsa folks who’d really like to do right think that servin’ the Lord just means shoutin’ themselves hoarse praisin’ his name.

“Well, I’ll tell ya how I look at that. I’m workin’ here fer Jim. Now, if I’d sit around the house here tellin’ what a good fella Jim is, and singin’ songs to him, and gettin’ up in the night to serenade him, I’d be doin’ just like a lot of Christians do. But I wouldn’t suit Jim, and I’d get fired mighty quick.

“But when I buckle on my straps and hustle among the hills and see that Jim’s herd is all right and not sufferin’ fer water and feed, or bein’ off the range and branded by cattle thieves, well then, I’m servin’ Jim the way he wants to be served.” ☩

Refining Fire

Religion is not a nagging parent, nor is it a report card keeping track of our achievements and failures and grading our performance.

Religion is a refining fire, helping us get rid of everything that is not us, everything that distorts, dilutes or compromises the persons we really want to be, until only our authentic selves remain.

—Harold Kushner †



Christian Symbols



Violet

The violet, a symbol of humility, is most often used in reference to the Virgin Mary.

St. Bernard described Mary as “the violet of humility.” The flower is also used to express Christ’s humility in assuming human form. †

“Our economy, peace and lives depend upon a healthy sustainable environment. If we are out of sync with creation, we are out of sync with the Creator.”

—Doug Bland

Be Thou My Vision

What is your vision for our church? No, really – we want to know!

The core Vision Focus Group has been meeting for a couple of months. A planning inventory for Beneva’s Vision has been adapted from one developed by the Hartford Institute for Religion Research. The purpose of this survey is to determine the interest, needs and wants of our church. Your completion of this questionnaire will assist us in planning for the future of Beneva. Our objective is to find out where we are now (including the past) and to set attainable goals for the future. The desired outcome is to establish a VISION of where we are going and to ultimately produce a MISSION STATEMENT with intent and direction.

Someone from the Vision Committee should be contacting you soon. They will ask to meet with you for an interview. This should take approximately 45 minutes to one hour. After the interview is complete they will leave a copy of the survey for you to complete. The survey is to be completed within a week and returned to the interviewer. You will not put your name or identity on the survey and are free to add additional comments if you would like to do so. We hope to have the surveys reviewed and an analysis by March or April.

The core group has read James Harnish’s book “You Only Have to Die” to assist and inspire in this vision process. In his book, Jim asks, “What difference would it make in your community if your congregation ceased to exist? Who would miss it? What would they miss? Why would they miss it?” Later on he asks, “Is your congregation asking “What must we do to survive” or “What must we do to align ourselves with God’s redemptive purpose for the world?” “Is your life of prayer focused on meeting the survival needs of your congregation or on meeting the larger needs of a bruised, broken and spiritually hungry world?”

If you do not hear from a member of the Vision Focus Group soon, please contact the church office and we will see that you receive a copy of the survey. Your input is important to the growth and vision for Beneva. We look forward to hearing from you. †

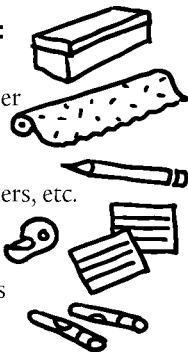


PRAYER BOX

Family prayer time is a good habit. Make it fun with this activity for all family members. They can use this special box whenever they have a prayer request.

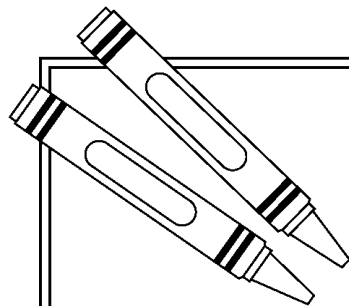
What you need:

- Shoebox
- Wrapping paper
- Scissors
- Tape
- Stickers, markers, etc. (optional)
- Index cards
- Pencils or pens



What you do:

1. Wrap the shoebox like a present. Be sure to wrap the lid separately so it can be removed.
2. Let the whole family help decorate the box. You can write Bible verses about prayer, draw pictures, glue on pictures or add stickers. Be creative!
3. Put the box in a prominent location of your house. Keep a pile of index cards and pencils or pens near the box.
4. Whenever a family member has a prayer request, he or she can write or draw it on a card and put it inside the box.
5. Family members can share the cards in a prayer circle, or people can take turns praying for all the requests. Throughout the week, family members can check the box for new prayer needs.



Just for KIDS

A FAMILY OF PRAYER

The book of Acts tells about a man named Cornelius. He was a Roman centurion from Caesarea who worshiped God. Through his encounter with Cornelius, Peter learned that God accepts everyone who fears him and does what is right.

Use the code below to see the example set by Cornelius and his family. Solve the math problems by using the grid. Then use the key to find the letter that matches each answer. Write the letter on the blank.

GRID	
A	B
2	4
C	D
6	5

KEY: a=7 e=8 i=10 o=9 u=11 y=6

"H e ___nd ___ll h___s f___m___l___
 A+C A+D A+D B+C A+D B+C A+B

 w___r___ d___v___ ___t ___nd
 A+C A+C A+C B+D C+D A+D

 G___d-f___ ___r___ng; h___ g___v___
 B+D A+C A+D B+C A+C A+D A+C

 g___n___r___ ___sl___ t___ th___s___ ___n
 A+C A+C B+D C+D A+B B+D B+D A+C B+C

 n___d ___nd pr___ ___d t___ G___d
 A+CA+C A+D A+D A+B A+C B+D B+D

 r___g___l___rl___." ___cts 10:2, NIV
 A+C C+D A+D A+B A+D

Answers: "He and all his family were devout and God-fearing; he gave generously to those in need and prayed to God regularly." Acts 10:2, NIV

Elder Serving Schedule for March 2009

<u>March 1</u>	<u>March 8</u>	<u>March 15</u>
C Bob Evans	C Shirley Blanton	C Glenn Oneal
O Olevia Fulkert	O Bob Blanton	O Jane Oneal
<u>March 22</u>	<u>March 29</u>	
C Elsie McDonald	C Olevia Fulkert	
O Bob Evans	O Greg Fulkert	

Elders of the month: Bob Blanton & Shirley Blanton (shut-ins, lockup facilities)

C = Communion; O = Offering

Deacon Serving Schedule for March 2009

Elements Preparation for February — Dean Hoover & Joyce Hoover

<u>March 1</u>	<u>March 8</u>	<u>March 15</u>
1 Alicia Brodkorb	1 Debbie York C/B	1 Deanna Root
2 Marilyn Gerkin B	2 Nila Valvo B	2 Cindy McDowell C/B
3 Tim Brodkorb C	3 Dean Hoover	3 Suzanne Pruse
4 Nila Valvo B	4 Joyce Hoover	4 Lori Walsh B
<u>March 22</u>	<u>March 29</u>	
1 Kathy Bearden C/B	1 Tim Brodkorb	
2 Joe Bearden	2 Suzanne Pruse C/B	
3 Deanna Root	3 Dean Hoover	
4 Jan Bogart B	4 Joyce Hoover B	

B= Bulletins: Arrive at 9:45 am to hand out bulletins.

C=Captain: Arrive at 10:10 am to check that the communion table is complete and all Deacons are accounted for.

U=Usher stays in the back and seats the late people and handles the microphone or announcements and prayer requests.

If you are unable to serve on scheduled date — Please arrange to have someone cover for you on that date.

All Deacons serving on their Sunday are to make sure all bulletins, cups and papers are picked up from the pews.

Communion Cups — fill grape juice to line right before it starts to curve — IF MUCH POUR SOME OUT.
Communion Preparation — Give to Organist (on wooden shelf), Worship & Wonder (in Fellowship Hall) and Nursery.

If you have any questions call Amy Abbot (Deacon Chair) at 922-1089.

Please Remember our Homebound

Ruth Martin

1343 Lucaya Ave
Venice, FL 34285

Thelma McKahan

22 Horton Cir
Sarasota, FL 34232

Wilma Kaulfuss

8361 Morgan Dr
Sarasota, FL 34238

Please remember those who are sick and our “shut-ins”. Drop a card or note to those who are unable to attend our weekly services and let them know they are missed. Please remember Donna Shrimplin, Leanne Dickerson, Iris DuBois, Charles & Bobbie Hartong, Leon & Edith Davidowski, Mary Yarman, and any others who may appear on our prayer list. Take a moment and make someone’s day, it’s always good medicine for the soul to be reminded how special we are to those we care about. †

Blood Pressure Check

Healthcare Services

Our Blood Pressure service will take place in the CYF room on March 1st at 11:30 am (after church). Please come if you are concerned about your health. †

e-m@il prayer.chain

If you would like to be added to our e-mail prayer chain please send your request via email to:

bccoffice2@verizon.net

www.lifeatbeneva.org

In addition to our sermons now online we also have the following features:

- Weekly Sermons to listen to and save
- Prayer Requests
- Elder and Deacon Schedules
- Good News newsletter in downloadable format
- Slideshows of church events
- Links of interest to Disciple websites
- Church event calendar and weekly schedule
- Contact information and more

Church Office

Phone: 924-8713
Pastor: 400-7349

The office hours are 9:00 am to 1:00 pm Monday through Friday.

Church Staff

Senior Pastor: Dr. Bobby Dickerson

b.dickerson@lifeatbeneva.org

Church secretary: Caitlin McDowell

bccoffice2@verizon.net

Director of Music: Greg Fulkert

Youth Director: Corry O’Carroll

Director of Little Disciples Preschool: Cindy McDowell

Pianist/Organist: Janene Overley

Custodian: Yves May

Nursery Attendant—

Chair of the Board: Dale Root

Treasurer: JoAnn Kelly

treasurer@lifeatbeneva.org

Financial Secretary: Sara Metheny

financial@lifeatbeneva.org

Church Website — <http://www.lifeatbeneva.org>

April Good News

Deadline for articles sent to the church is the week of March 19th.

Articles may be sent directly to Caitlin McDowell at bccoffice2@verizon.net †

Good News Printed By

Creative Technology of Sarasota, Inc.
5959 Palmer Blvd.
Sarasota, FL 34232
(941) 371-2743

Email: bob@ctimls.com

The Life of Beneva in March 2009

<u>March 1, 2009</u>	<i>Food Pantry Sunday</i>	<u>Sunday</u>
Adult & Youth Bible Study—Fellowship Hall		9:00 am
Praise Service—Fellowship Hall		9:45 am
Traditional Worship Service		10:30 am
Worship & Wonder—Fellowship Hall		10:45 am
Blood Pressure Check—CYF Room		11:30 am
Youth Groups—Fellowship Hall		4:30 pm
Adult Bible Study—Sanctuary		4:30 pm
Choir Fest—Pine Shores Presbyterian		7:00 pm
<u>March 2, 2009</u>		<u>Monday</u>
Joshua's Men—Fellowship Hall		7:00 pm
Martha Circle—Fellowship Hall		7:15 pm
<u>March 3, 2009</u>		<u>Tuesday</u>
Elders Meeting—Fellowship Hall		7:00 pm
<u>March 4, 2009</u>		<u>Wednesday</u>
Choir Rehearsal—Sanctuary		7:00 pm
<u>March 5, 2009</u>		<u>Thursday</u>
Community Bible Study—F.H. and Sanctuary		7-8:30 pm
<u>March 6, 2009</u>	<i>World Day of Prayer</i>	<u>Friday</u>
Naomi Circle—Fellowship Hall		12:00 pm
Food Pantry Open		3:00-5:00 pm
<u>March 8, 2009</u>	<i>Second Sunday in Lent</i>	<u>Sunday</u>
Adult & Youth Bible Study—Fellowship Hall		9:00 am
Praise Service—Fellowship Hall		9:45 am
Traditional Worship Service		10:30 am
Worship & Wonder—Fellowship Hall		10:45 am
CROP Walk—St. Armand's		2:00 pm
Youth Groups—Fellowship Hall		4:30 pm
Adult Bible Study—Sanctuary		4:30 pm
<u>March 10, 2009</u>		<u>Tuesday</u>
Board Meeting—Fellowship Hall		7:00 pm
<u>March 11, 2009</u>		<u>Wednesday</u>
Choir Rehearsal—Sanctuary		7:00 pm
<u>March 12, 2009</u>		<u>Thursday</u>
Bifocal Bunch Breakfast—Serving Spoon		9:00 am
Community Bible Study—F.H. & Sanctuary		7-8:30 pm

<u>March 13, 2009</u>		<u>Friday</u>
Food Pantry Open		3:00—5:00 pm
<u>March 15, 2009</u>	<i>Third Sunday in Lent</i>	<u>Sunday</u>
Adult & Youth Bible Study—Fellowship Hall		9:00 am
Praise Service—Fellowship Hall		9:45 am
Traditional Worship Service		10:30 am
Worship & Wonder—Fellowship Hall		10:45 am
Youth Groups—Fellowship Hall		4:30 pm
Adult Bible Study—Sanctuary		4:30 pm
<u>March 18, 2009</u>		<u>Wednesday</u>
Choir Rehearsal—Sanctuary		7:00 pm
<u>March 19, 2009</u>		<u>Thursday</u>
Community Bible Study—F.H. & Sanctuary		7-8:30 pm
<u>March 20, 2009</u>	<i>First Day of Spring</i>	<u>Friday</u>
Food Pantry Open		3:00—5:00 pm
<u>March 21, 2009</u>		<u>Saturday</u>
Sat-A-Workday		Church Grounds
<u>March 22, 2009</u>	<i>Fourth Sunday in Lent</i>	<u>Sunday</u>
Adult & Youth Bible Study—Fellowship Hall		9:00 am
Praise Service—Fellowship Hall		9:45 am
Traditional Worship Service		10:30 am
Worship & Wonder—Fellowship Hall		10:45 am
BB Ski-A-Rees—City Island		2:00 pm
Garden Party—Fellowship Hall		4-5:30 pm
Adult Bible Study—Sanctuary		4:30 pm
<u>March 25, 2009</u>		<u>Wednesday</u>
Choir Rehearsal—Sanctuary		7:00 pm
<u>March 26, 2009</u>		<u>Thursday</u>
LDP Chapel Moments—Sanctuary		11:30 am
Community Bible Study—F.H. & Sanctuary		7-8:30 pm
<u>March 27, 2009</u>		<u>Friday</u>
LDP Chapel Moments—Sanctuary		11:30 am
Food Pantry Open		3:00—5:00 pm
<u>March 29, 2009</u>	<i>Fifth Sunday in Lent</i>	<u>Sunday</u>
Praise Service, Traditional Service, all Bible Studies, and Youth Groups will be in session at their normal times and locations.		

What Do Disciples Believe?

Like most Christians, Disciples affirm:

- ♦ Jesus Christ is the son of the Living God, and offers saving grace to all.
- ♦ All persons are God's children.

Beliefs and practices usually associated with Disciples include:

- ♦ *Open Communion.* The Lord's Supper, or Communion, is celebrated in weekly worship. It is open to all believers.
- ♦ *Diversity of opinion.* Each person is free to determine individual belief guided by the Bible, the Holy Spirit, study and prayer.
- ♦ *Baptism by immersion.* In baptism the old self-centered life is set aside, and a new life of trust in God is made possible. Although Disciples generally practice baptism by immersion, they honor other baptism traditions as well.
- ♦ *Importance of church unity.* All Christians should cooperate in ministry wherever possible, affirming each other as sisters and brothers in Christ.
- ♦ *The ministry of all believers.* Both ministers and lay persons lead worship, direct service opportunities and nurture spiritual growth.
- ♦ *Freedom of belief.* Disciples are called together around one essential of faith: belief in Jesus Christ as Lord and Savior. †



The chalice symbolizes the central place of communion in worship for the Christian Church (Disciples of Christ). The X-shaped cross of the disciple Andrew is a reminder of the ministry of each person and the importance of evangelism.

Discover . . . Spiritual growth

Every Disciples congregation meets weekly to worship God. In the warmth of God's presence and with the support of others, we grow in our understanding of God in ways that make a difference in our everyday lives.

Through worship that is both contemporary and traditional, we discover the joy of trusting and following Jesus.

Around the communion table, we acknowledge Christ's presence and remember the meal He shared with His followers. All believers are welcome at the Lord's table.

Whether you are a longtime follower of Jesus Christ, or curious about Christianity, the Christian Church can help you explore Christianity and learn about Christ. †



Sunday Schedule

Adult & Youth Bible Study Class	9:00 am
Praise Service	9:45 am
Traditional Worship Service (& Nursery)	10:30 am
Worship & Wonder	After Children's Sermon
Youth Groups	4:30 pm
Adult Bible Study	4:30 pm



THE GOOD NEWS March 2009

BENEVA CHRISTIAN CHURCH (Disciples of Christ)
4835 Beneva Road, Sarasota, FL 34233-2110

Phone: 941.924.8713 Fax: 941.923.4185

E-Mail: bccoffice2@verizon.net

Web Site: www.lifeatbeneva.org

NON-PROFIT
ORGANIZATION
US POSTAGE PAID
MANASOTA, FL
PERMIT #443

RETURN SERVICE REQUESTED